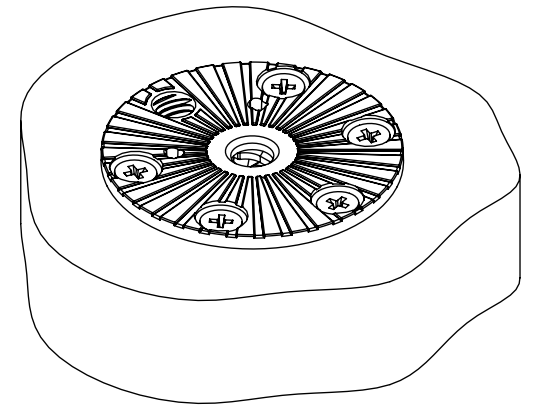
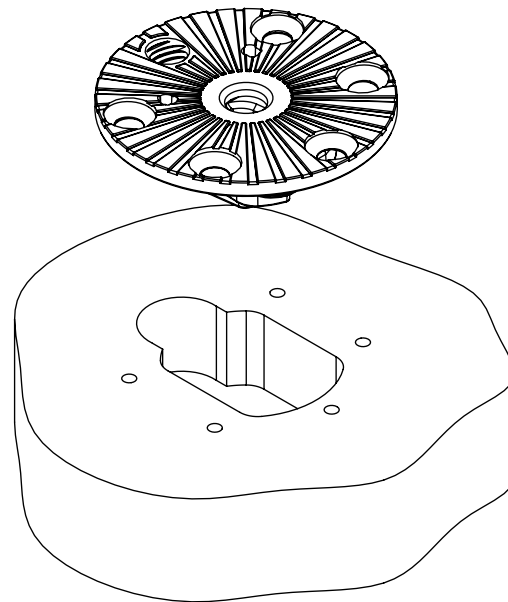
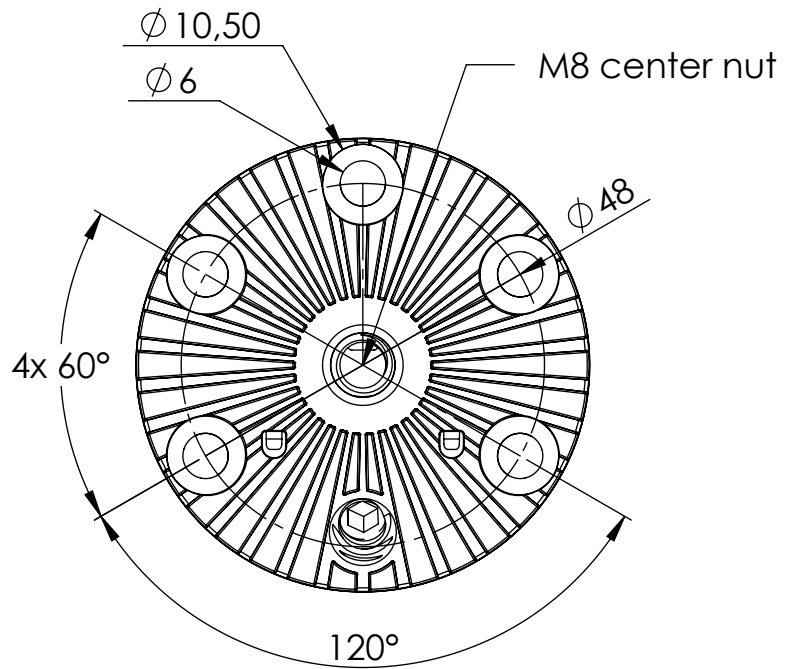
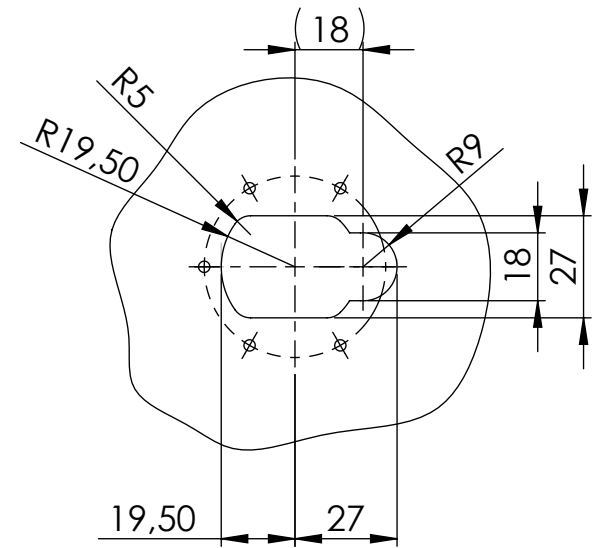


Recommended minimum cut-out



(Suited mounting screws: CSK 4,5 mm.)